

Combination Rail positions

Installation

Standard Rail

To move Handles

- Loosen clamps (use Hexkey supplied in box)
- Press finger buttons in
- Rotate Handle to new position
- Buttons will click into place
- Tighten clamp if new position is permanent

To remove Handles

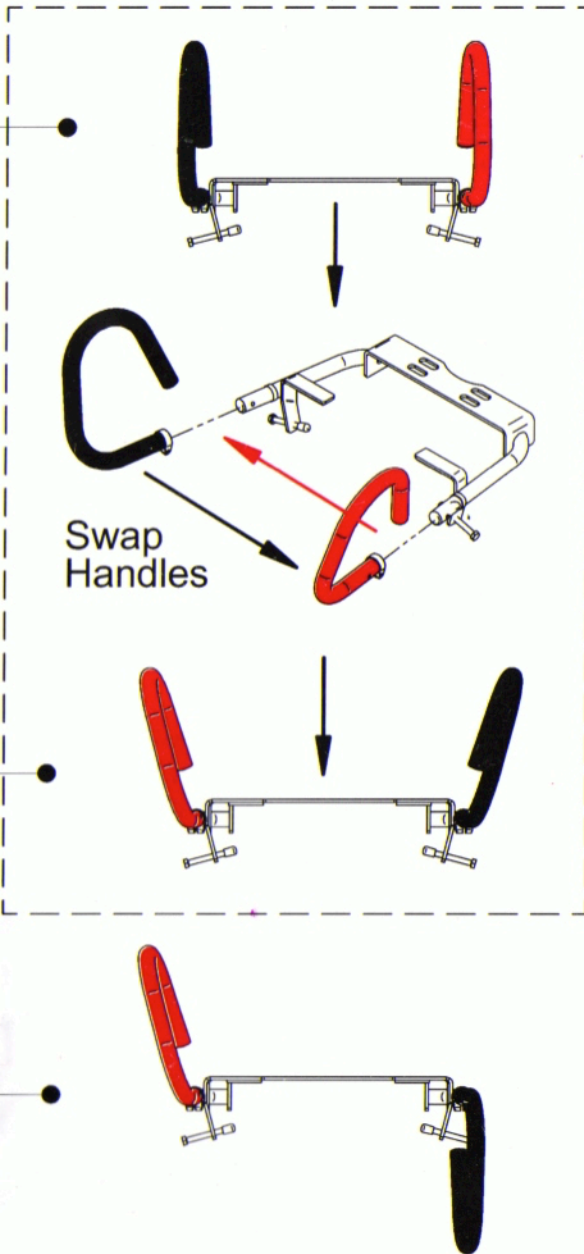
- Loosen clamps (use Hexkey supplied in box)
- Press finger buttons in
- Pull Handles off mounting tube

Swap Handles

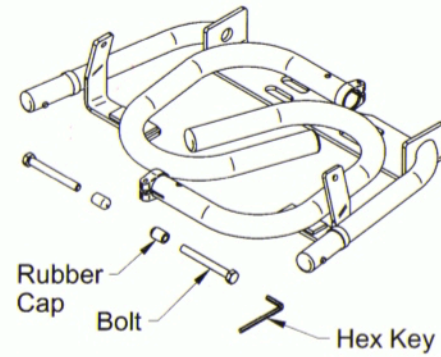
Splayed Rail

Fold Down Rail

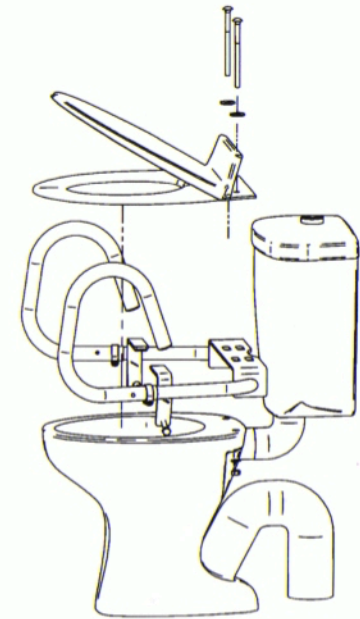
either or both sides can be folded down



Box contents



1. Remove toilet seat, install Throne Rail and replace toilet seat using the same screws



2. Hand-tighten side bolts so that rubber caps firmly contact side of toilet bowl

