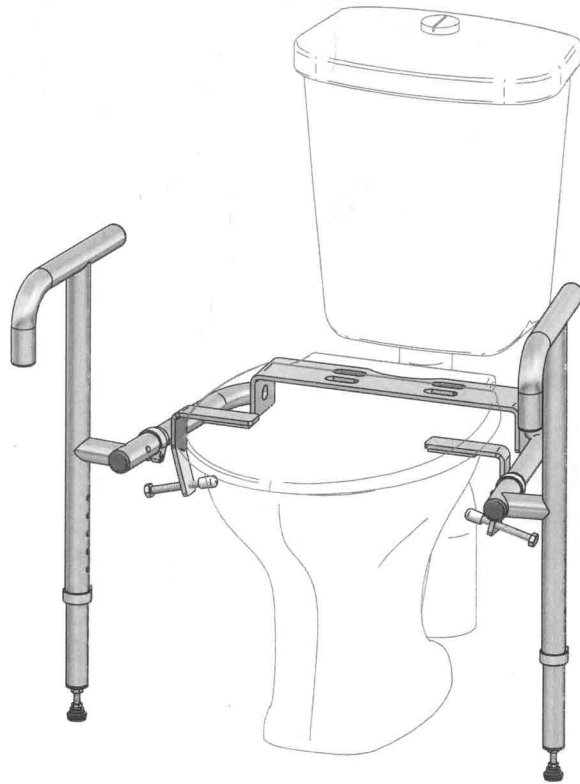




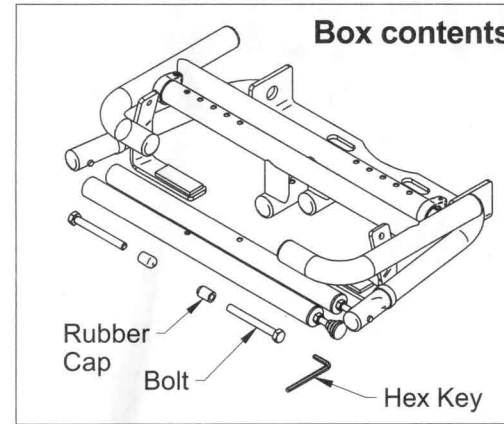
Bariatric Rail



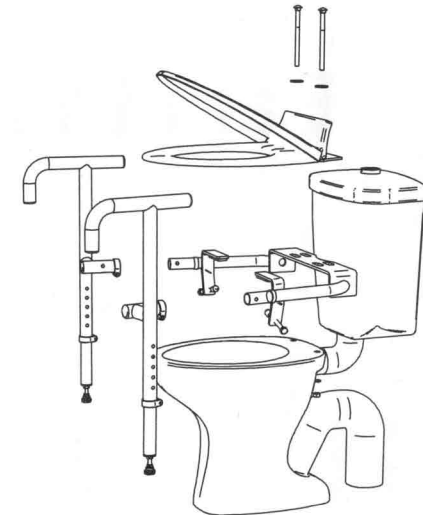
www.throne.com.au

Disclaimer: Throne Accessories Pty Limited will not be held responsible for any injury or damage resulting from the product being incorrectly installed (including, but not limited to, placement on unstable or ill-founded toilet bowls) or for inappropriate use. These rails have been tested up to 150 kilograms and approved by a NATA registered laboratory applying AS3696:part 8(8.4)

Installation



1. Remove toilet seat, install Throne Rail and replace toilet seat using the same screws



2. Hand-tighten side bolts so that rubber caps firmly contact side of toilet bowl

