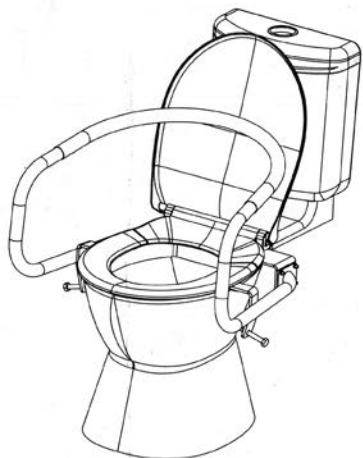


THRONE™ ACCESSORIES



WRAP AROUND MODEL

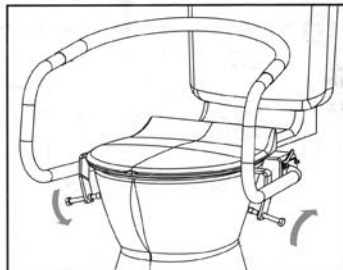
TO ASSEMBLE AND INSTALL, START HERE →

CARE AND USE



Make sure the rails are tightly attached to the toilet.

Maintain the tight fit during use.



Use non-abrasive cleaning products only.



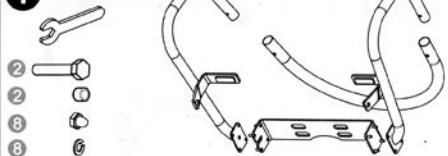
Disclaimer: Throne Accessories Pty Limited will not be held responsible for any injury or damage resulting from the product being incorrectly installed (including, but not limited to, placement on unstable or ill-founded toilet bowls) or for inappropriate use. These rails have been tested up to 100 kilograms and approved by a NATA registered laboratory applying AS3696:part 8(8.4).

THRONE ACCESSORIES

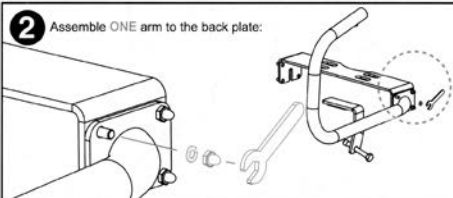
2/92 Gladstone St, Fyshwick, ACT 2609 Australia
Ph: 02 6280 6599 Fax: 02 6239 1624
throne@throne.com.au

ASSEMBLY

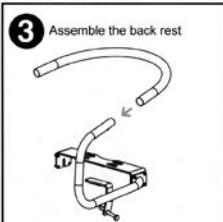
1 The contents are:



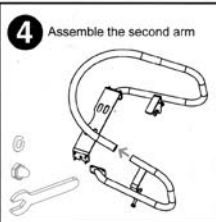
2 Assemble ONE arm to the back plate:



3 Assemble the back rest

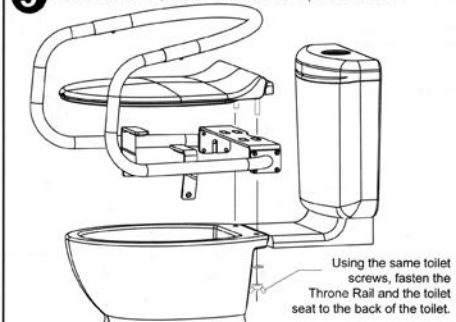


4 Assemble the second arm



INSTALLATION

5 Remove toilet seat, install Throne Rail and replace toilet seat:



6

