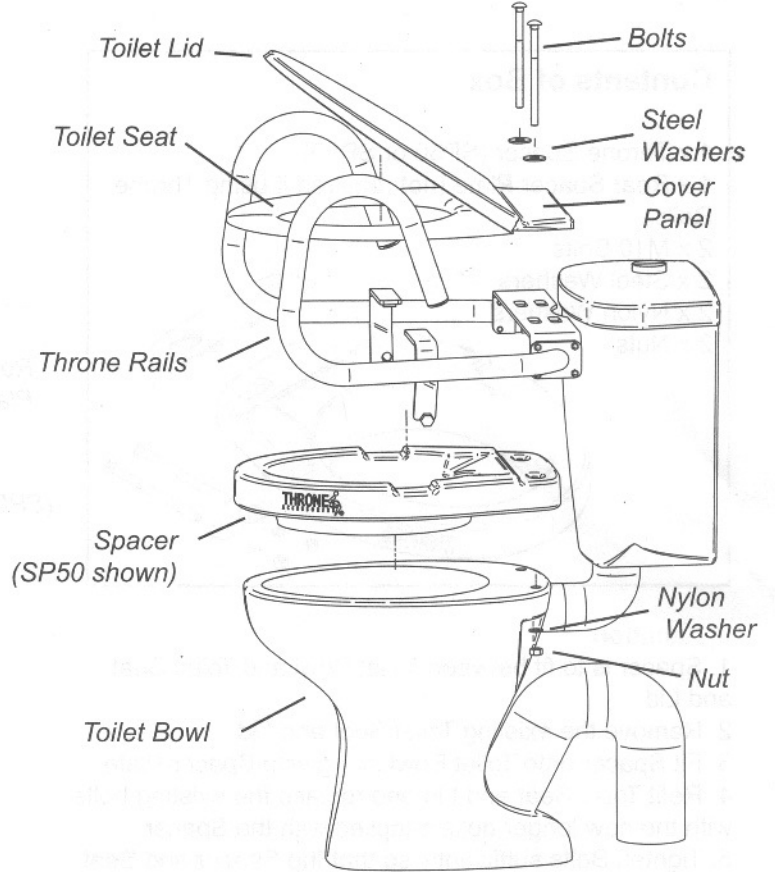
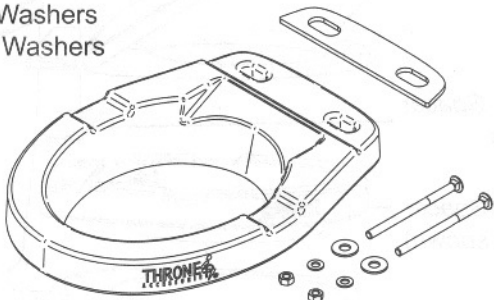


SP50 and SP80 Installation Instructions when used with Throne Rails

Contents of Box

- 1 x Throne Spacer (SP50 or SP80)
- 1 x Rear Spacer Plate (not required if using Throne Rails)
- 2 x M10 Bolts
- 2 x Steel Washers
- 2 x Nylon Washers
- 2 x Nuts



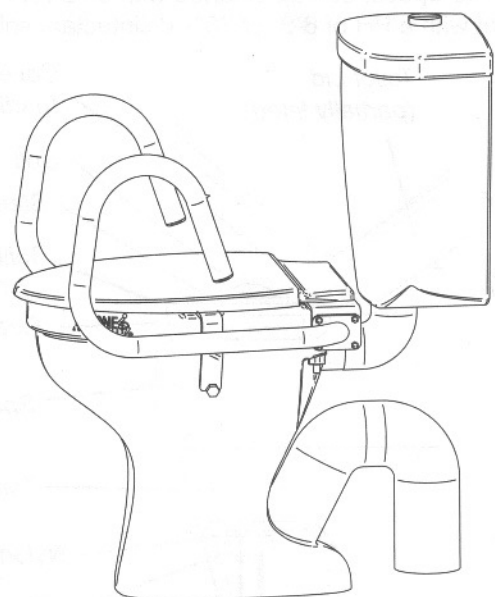
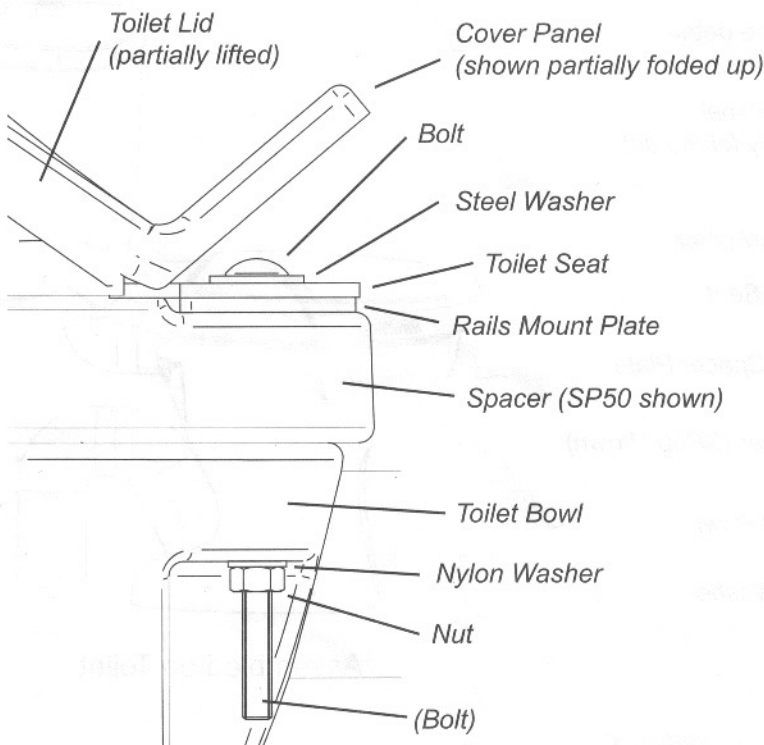
Exploded View

Installation

1. Spacer is to fit between Toilet Bowl and Throne Rails as illustrated.
2. Refer to the detailed instructions supplied with the Throne Rails for their installation

Care and Maintenance

1. The Spacer can be cleaned with a solvent free detergent with a PH of 6-9, or 70% disinfectant solution.



Assembled on Toilet